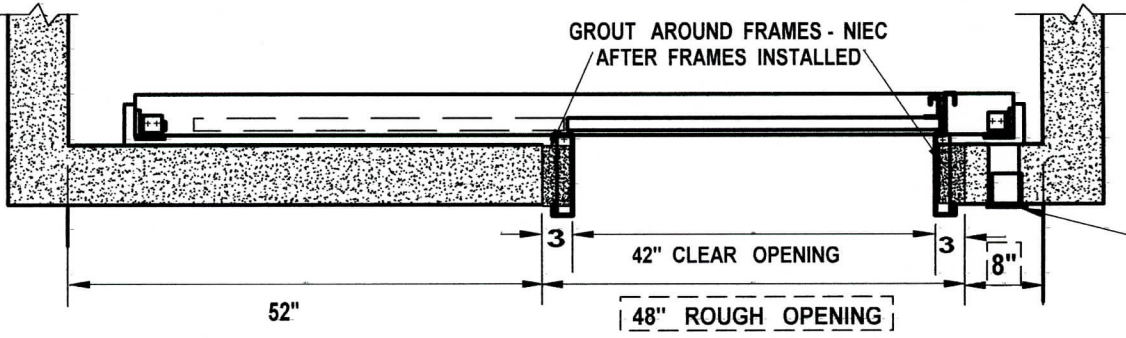


U. L. LABELED DOORS & FRAMES
 FRAMES MUST BE INSTALLED BEFORE
 WALL STUDS & DRYWALL
 DRY WALL MUST FIT IN TO POCKET.
 SEE DETAIL WALL JAMB INTERFACE

**PLAN VIEW OF HOISTWAY
 UPPER FLOORS**

POSITION INDICATOR
 TOP @ 84" ABOVE FLOOR
 AT MAIN LOBBY.
 BLOCK OUT 2 1/2" W BY
 12 1/2" HIGH - N. I. E. C.

PUSH BUTTON C/L 42" ABOVE FLOOR
 box 3" w by 8" typical



PLAN VIEW OF BLOCK/CONCRETE ENTRANCE
 2800 LB CAP - ADA & AMBULANCE GURNEY SIZE
 (Right hand doors shown - left hand opposite)
 EXAMPLE ONLY NOT FOR CONSTRUCTION

PUSH BUTTON
 C/L 42" ABOVE FLOOR
 GAR. BLOCKOUT
 3" w BY 12" h
 N.I.E.C.